



US00D515149S

(12) **United States Design Patent** (10) **Patent No.:** **US D515,149 S**  
**Orr** (45) **Date of Patent:** **\*\* Feb. 14, 2006**

(54) **STREAMLINE PAINTBALL MARKER WITH EXPOSED PNEUMATICS**

(76) Inventor: **Jeffrey G. Orr**, 3779 Trinity Cir.,  
Corona, CA (US) 92881

(\*\*) Term: **14 Years**

(21) Appl. No.: **29/211,523**

(22) Filed: **Aug. 17, 2004**

(51) **LOC (8) Cl.** ..... **21-01**

(52) **U.S. Cl.** ..... **D21/573**

(58) **Field of Classification Search** ..... D21/567,  
D21/570, 572-575; D22/100, 103, 104, 108,  
D22/109, 115; 124/56, 65, 70, 71-74, 76,  
124/77

See application file for complete search history.

(56) **References Cited**

**U.S. PATENT DOCUMENTS**

|             |         |                |           |
|-------------|---------|----------------|-----------|
| 43,573 A    | 7/1864  | Crane          | 15/104.18 |
| 57,846 A    | 9/1866  | Bausman        | 15/104.16 |
| 143,139 A   | 9/1873  | Gould          | 15/104.16 |
| 645,932 A   | 3/1900  | Ferrant        | 89/125    |
| 1,167,178 A | 1/1916  | Hill           | 124/56    |
| 1,343,127 A | 6/1920  | Hallinan       | 124/54    |
| 1,743,576 A | 1/1930  | Smith          | 124/72    |
| 2,453,683 A | 11/1948 | Caldow         | 42/70     |
| 2,484,267 A | 10/1949 | Bower          | 15/242    |
| 2,550,887 A | 5/1951  | Tratsch        | 124/1     |
| 2,563,720 A | 8/1951  | Guisasola      | 42/70     |
| 2,568,432 A | 9/1951  | Cook           | 124/13    |
| 2,834,332 A | 5/1958  | Guthrie        | 124/13    |
| 2,845,055 A | 7/1958  | Collins et al. | 124/11    |
| 3,089,476 A | 5/1963  | Wolverton      | 124/11    |
| 3,240,200 A | 3/1966  | Jones          | 124/11    |
| 3,273,553 A | 9/1966  | Doyle          | 124/3     |
| 3,374,708 A | 3/1968  | Wall et al.    | 89/1      |
| 3,494,344 A | 2/1970  | Vadas et al.   | 124/11    |
| 3,548,708 A | 12/1970 | Hubigh         | 89/1.818  |
| 3,572,310 A | 3/1971  | Chiba          | 124/11    |
| 3,695,246 A | 10/1972 | Filippi et al. | 124/11    |
| 3,818,887 A | 6/1974  | Akiyama et al. | 124/15    |

|             |         |                |         |
|-------------|---------|----------------|---------|
| 3,899,845 A | 8/1975  | Wild et al.    | 42/69   |
| D237,678 S  | 11/1975 | Spencer        | D7/179  |
| 3,923,033 A | 12/1975 | Laporte et al. | 124/8   |
| 4,066,000 A | 1/1978  | Rostocil       | 89/198  |
| 4,133,128 A | 1/1979  | Brush          | 42/70 R |
| 4,207,799 A | 6/1980  | Tocco          | 89/196  |
| 4,282,795 A | 8/1981  | Beretta        | 89/148  |
| 4,347,679 A | 9/1982  | Grunig et al.  | 42/84   |
| 4,362,145 A | 12/1982 | Stelcher       | 124/32  |
| 4,516,273 A | 5/1985  | Gregory et al. | 2/2     |
| 4,589,327 A | 5/1986  | Smith          | 89/148  |
| 4,602,608 A | 7/1986  | Lacam et al.   | 124/74  |
| 4,679,487 A | 7/1987  | Houseman       | 89/140  |
| 4,694,815 A | 9/1987  | Hung           | 124/27  |
| 4,770,153 A | 9/1988  | Edelman        | 124/72  |

(Continued)

**FOREIGN PATENT DOCUMENTS**

|    |          |         |
|----|----------|---------|
| DE | 19518884 | 6/1994  |
| FR | 2801567  | 10/1999 |
| GB | 2252302  | 8/1992  |
| GB | 2370027  | 6/2002  |
| GB | 2391292  | 2/2004  |

*Primary Examiner*—Holly Baynham

*Assistant Examiner*—Cynthia M. Chin

(74) *Attorney, Agent, or Firm*—Keisling Pierpor & Scott  
PLC; David B. Piepek; Trent C. Keisling

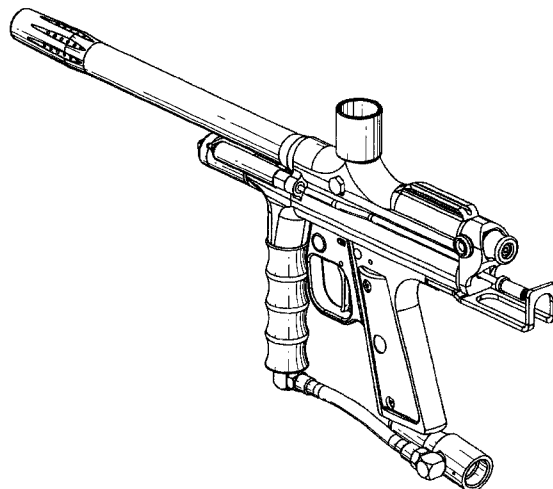
(57) **CLAIM**

The ornamental design for a streamline paintball marker with exposed pneumatics, as shown and described.

**DESCRIPTION**

FIG. 1 is an isometric view of a streamline paintball marker with exposed pneumatics showing my new design; FIG. 2 is a top plan view thereof; FIG. 3 is a front elevational view thereof; FIG. 4 is a left side elevational view thereof; FIG. 5 is a back elevational view thereof; FIG. 6 is a right elevational view thereof; and, FIG. 7 is a bottom plan view thereof.

**1 Claim, 6 Drawing Sheets**



US D515,149 S

Page 2

U.S. PATENT DOCUMENTS

|              |          |                     |           |                 |           |                  |          |
|--------------|----------|---------------------|-----------|-----------------|-----------|------------------|----------|
| 4,779,245 A  | 10/1988  | Chelminski          | 367/144   | 6,223,460 B1    | 5/2001    | Schmitter et al. | 42/70.06 |
| 4,785,930 A  | 11/1988  | Fischer et al.      | 206/3     | 6,256,917 B1    | 7/2001    | Findlay          | 42/70.06 |
| 4,819,609 A  | 4/1989   | Tippmann            | 124/72    | 6,260,821 B1    | 7/2001    | Perry et al.     | 251/314  |
| 4,899,717 A  | 2/1990   | Rutten et al.       | 124/67    | 6,311,682 B1    | 11/2001   | Rice et al.      | 124/71   |
| 4,936,282 A  | 6/1990   | Dobbins et al.      | 124/74    | 6,349,711 B1    | 2/2002    | Perry et al.     | 124/73   |
| 4,940,138 A  | 7/1990   | Hornstein           | 206/218   | D454,685 S      | 3/2002    | Parks et al.     | D3/254   |
| D321,325 S   | 11/1991  | Petrus              | D9/435    | 6,382,200 B1    | 5/2002    | Levkov           | 124/73   |
| 5,063,905 A  | 11/1991  | Farrell             | 124/72    | D458,333 S      | 6/2002    | Power            | D22/108  |
| 5,068,990 A  | 12/1991  | Marzocco            | 42/70.04  | D460,502 S      | 7/2002    | Traum et al.     | D21/573  |
| 5,078,118 A  | 1/1992   | Perrone             | 124/74    | 6,439,217 B1    | 8/2002    | Shih             | 124/77   |
| 5,149,898 A  | 9/1992   | Chesnut et al.      | 42/69.01  | 6,474,325 B1    | 11/2002   | Rice et al.      | 124/71   |
| 5,228,427 A  | 7/1993   | Gardner, Jr.        | 124/71    | 6,474,326 B1    | 11/2002   | Smith et al.     | 124/77   |
| 5,251,533 A  | 10/1993  | Layton              | 89/142    | 6,494,194 B1    | 12/2002   | Shipachev et al. | 124/73   |
| 5,261,384 A  | 11/1993  | Hu                  | 124/66    | 6,494,195 B1    | 12/2002   | Perry et al.     | 124/84   |
| 5,280,778 A  | 1/1994   | Kotsiopoulos        | 124/73    | 6,532,949 B1    | 3/2003    | McKendrick       | 124/77   |
| 5,282,454 A  | 2/1994   | Bell et al.         | 124/49    | D473,910 S      | 4/2003    | Rice et al.      | D22/108  |
| 5,293,708 A  | 3/1994   | Strayer et al.      | 42/75.03  | 6,550,468 B1    | 4/2003    | Tippmann, Jr.    | 124/71   |
| 5,349,939 A  | 9/1994   | Perrone             | 124/76    | 6,553,983 B1    | 4/2003    | Li               | 124/73   |
| 5,363,834 A  | 11/1994  | Stuchlik            | 124/76    | 6,578,566 B1    | 6/2003    | Hernandez        | 124/73   |
| 5,370,105 A  | 12/1994  | Firman              | 124/56    | 6,590,386 B1    | 7/2003    | Williams         | 324/178  |
| 5,413,083 A  | 5/1995   | Jones               | 124/32    | 6,615,814 B1    | 9/2003    | Rice et al.      | 124/71   |
| 5,462,042 A  | 10/1995  | Grenwell            | 124/76    | 6,626,165 B1    | 9/2003    | Bhogal           | 124/77   |
| D366,514 S   | 1/1996   | Hochstrate et al.   | D22/108   | 6,629,379 B1    | 10/2003   | Doiron           | 42/70.11 |
| 5,503,137 A  | 4/1996   | Fusco               | 124/72    | 6,637,420 B1    | 10/2003   | Moritz           | 124/73   |
| 5,596,162 A  | 1/1997   | Burns               | 89/128    | 6,637,421 B1    | 10/2003   | Smith et al.     | 124/77   |
| 5,613,483 A  | 3/1997   | Lukas et al.        | 124/73    | D482,081 S      | * 11/2003 | Chang            | D21/573  |
| 5,634,456 A  | 6/1997   | Perrone             | 124/76    | D482,082 S      | * 11/2003 | Chang            | D21/573  |
| 5,635,663 A  | 6/1997   | Krieger et al.      | 89/142    | D482,743 S      | * 11/2003 | Chang            | D21/573  |
| 5,718,074 A  | 2/1998   | Keeney              | 42/69.03  | 6,644,295 B1    | 11/2003   | Jones            | 124/77   |
| D393,115 S   | 3/1998   | Bell et al.         | D32/35    | 6,644,296 B1    | 11/2003   | Gardner, Jr.     | 124/77   |
| 5,727,538 A  | 3/1998   | Ellis               | 124/77    | 6,658,982 B1    | 12/2003   | Cherry           | 89/1.42  |
| 5,736,720 A  | 4/1998   | Bell et al.         | 235/1     | D484,926 S      | 1/2004    | Rice et al.      | D21/573  |
| 5,755,213 A  | 5/1998   | Gardner, Jr. et al. | 124/73    | 6,694,963 B1    | 2/2004    | Taylor           | 124/32   |
| 5,760,328 A  | 6/1998   | Robbins             | 89/129.02 | 6,705,036 B1    | 3/2004    | Orr              | 42/69.01 |
| 5,799,434 A  | 9/1998   | Krieger et al.      | 42/69.03  | 6,725,852 B1    | 4/2004    | Yokota et al.    | 124/49   |
| 5,816,232 A  | 10/1998  | Bell                | 124/51.1  | 6,729,497 B1    | 5/2004    | Rice et al.      | 220/835  |
| 5,868,637 A  | 2/1999   | Poxon               | 473/469   | 6,739,322 B1    | 5/2004    | Rice et al.      | 124/49   |
| 5,878,736 A  | 3/1999   | Lotuaco, III        | 124/71    | 6,748,938 B1    | 6/2004    | Rice et al.      | 124/77   |
| 5,881,707 A  | 3/1999   | Gardner, Jr.        | 124/77    | 6,763,822 B1    | 7/2004    | Styles           | 124/77   |
| 5,890,479 A  | 4/1999   | Morin               | 124/31    | D496,556 S      | 9/2004    | Skrocki et al.   | D7/391   |
| 5,913,303 A  | 6/1999   | Kotsiopoulos        | 124/31    | 6,802,305 B1    | 10/2004   | Hatcher          | 124/31   |
| 5,950,611 A  | * 9/1999 | Lopez et al.        | 124/72    | 6,802,306 B1    | 10/2004   | Rice             | 124/74   |
| 5,957,119 A  | 9/1999   | Perry et al.        | 124/73    | 2002/0096164 A1 | * 7/2002  | Perrone          | 124/77   |
| 5,967,133 A  | 10/1999  | Gardner, Jr.        | 124/77    | 2003/0121927 A1 | 7/2003    | Rice et al.      | 220/833  |
| 6,003,504 A  | 12/1999  | Rice et al.         | 124/73    | 2003/0131514 A1 | 7/2003    | Rice et al.      | 42/69.01 |
| 6,015,058 A  | 1/2000   | Parks               | 220/229   | 2003/0131834 A1 | 7/2003    | Rice et al.      | 124/32   |
| 6,035,843 A  | 3/2000   | Smith et al.        | 124/77    | 2003/0154968 A1 | 8/2003    | Rice et al.      | 124/71   |
| 6,048,280 A  | 4/2000   | Palmer et al.       | 473/416   | 2003/0178018 A1 | * 9/2003  | Cherry           | 124/76   |
| 6,055,975 A  | 5/2000   | Gallagher et al.    | 124/50    | 2003/0221684 A1 | 12/2003   | Rice             | 124/71   |
| 6,065,460 A  | 5/2000   | Lotuaco, III        | 124/72    | 2004/0011344 A1 | 1/2004    | Rice et al.      | 124/73   |
| 6,138,656 A  | 10/2000  | Rice et al.         | 124/73    | 2004/0031836 A1 | 2/2004    | Garcia           | 224/665  |
| 6,142,137 A  | 11/2000  | MacLaughlin         | 124/72    | 2004/0074489 A1 | 4/2004    | Neumaster et al. | 124/79   |
| 6,212,812 B1 | 4/2001   | Aigner              | 42/70.06  | 2004/0084040 A1 | 5/2004    | Jones            | 124/77   |

\* cited by examiner

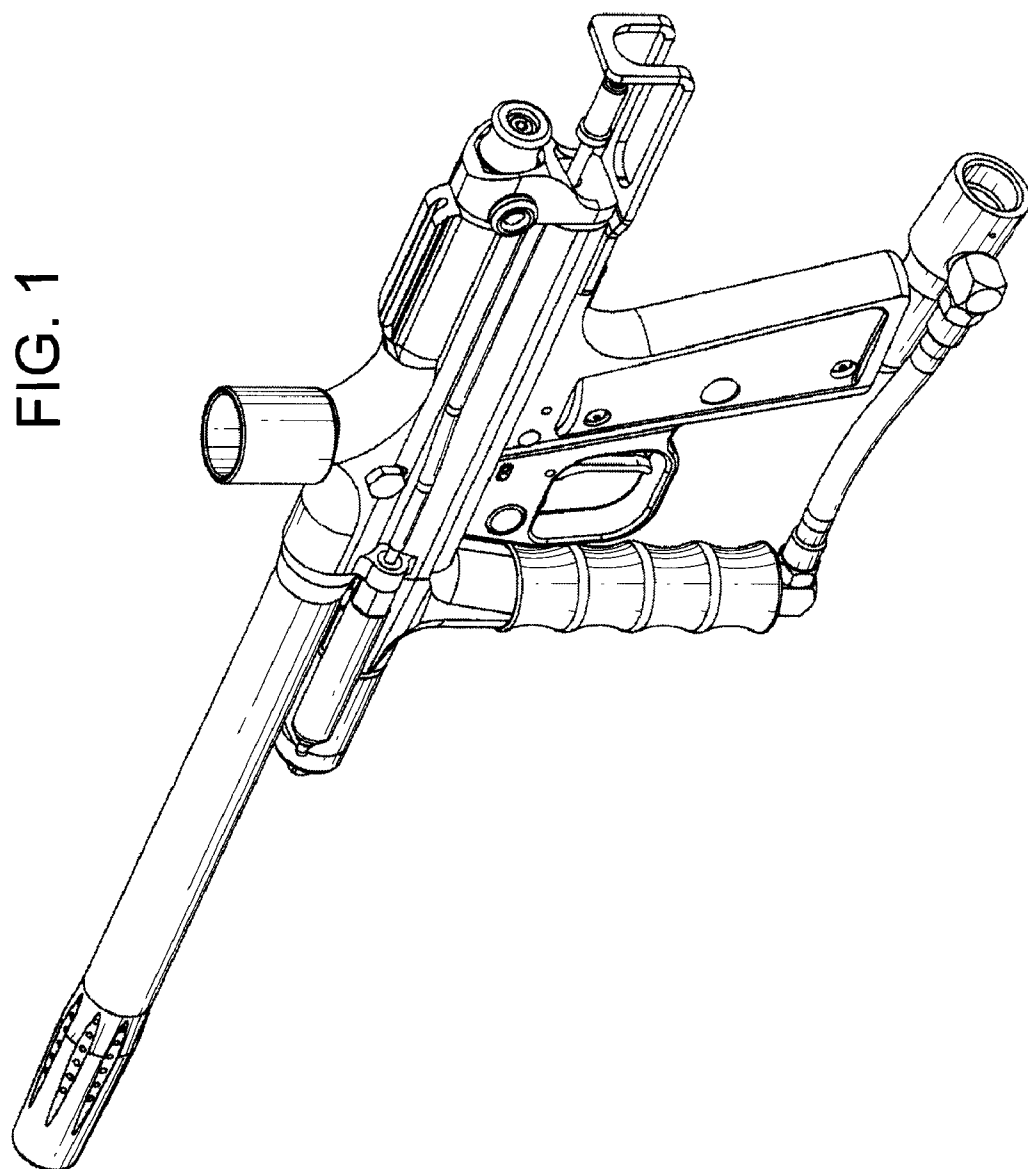


FIG. 1

FIG. 2

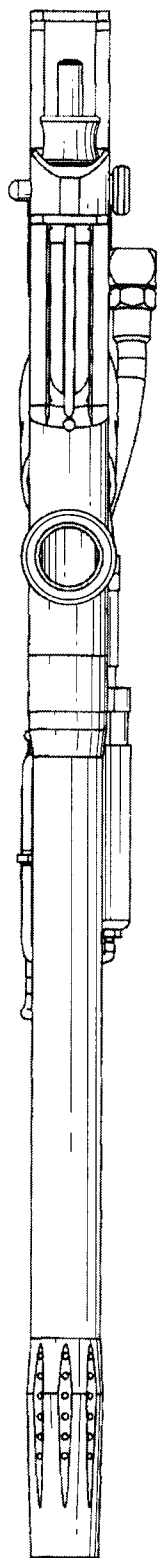


FIG. 3

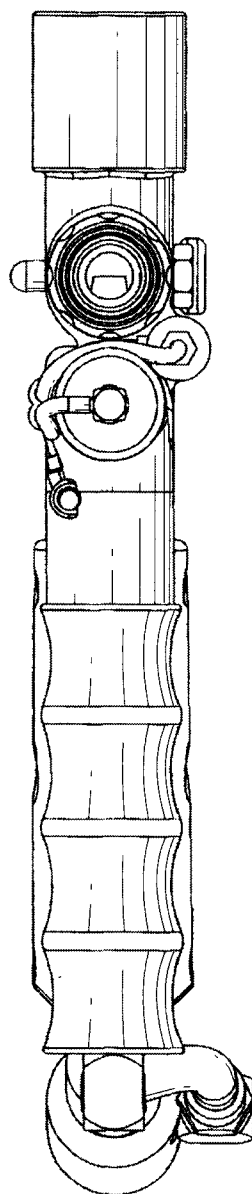


FIG. 4

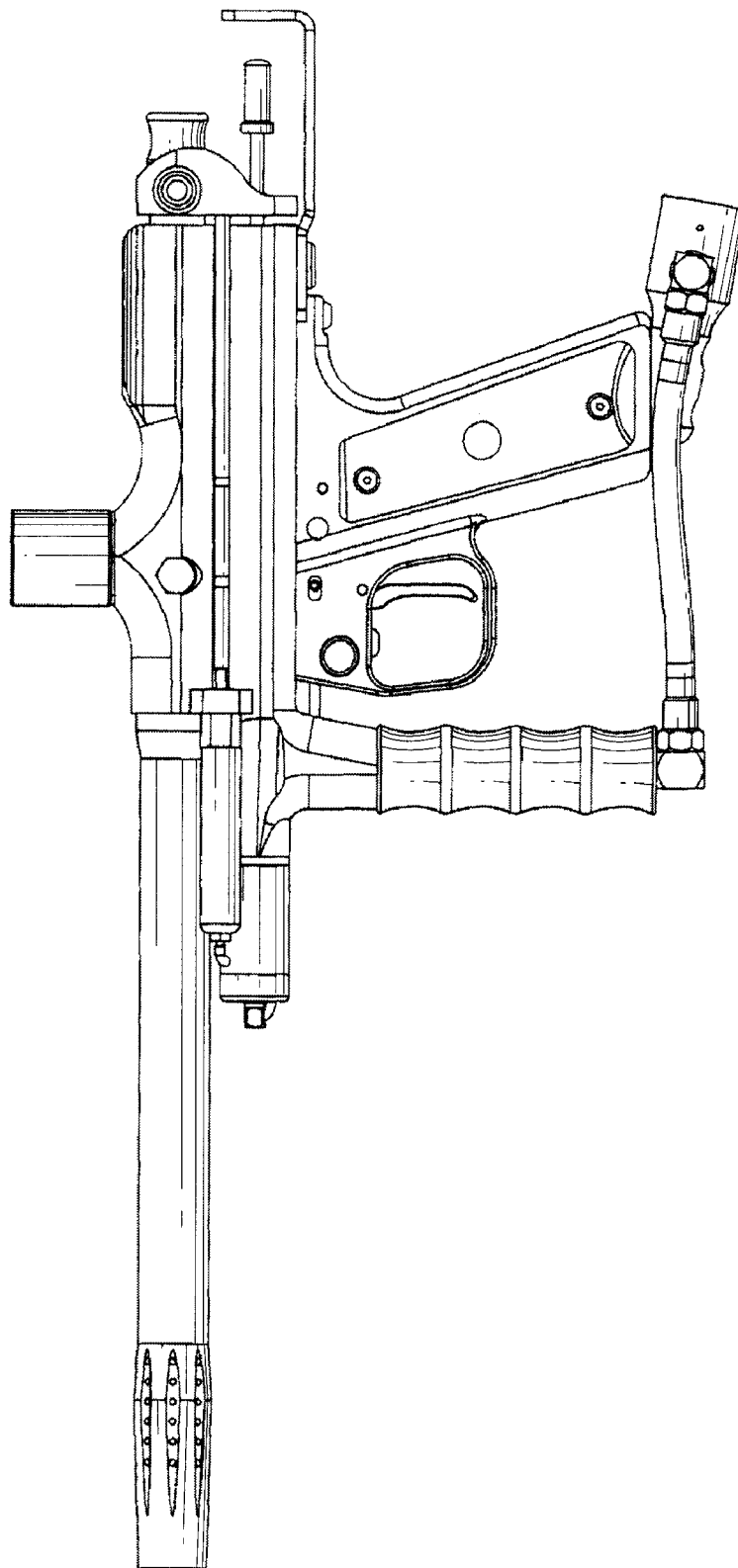


FIG. 5

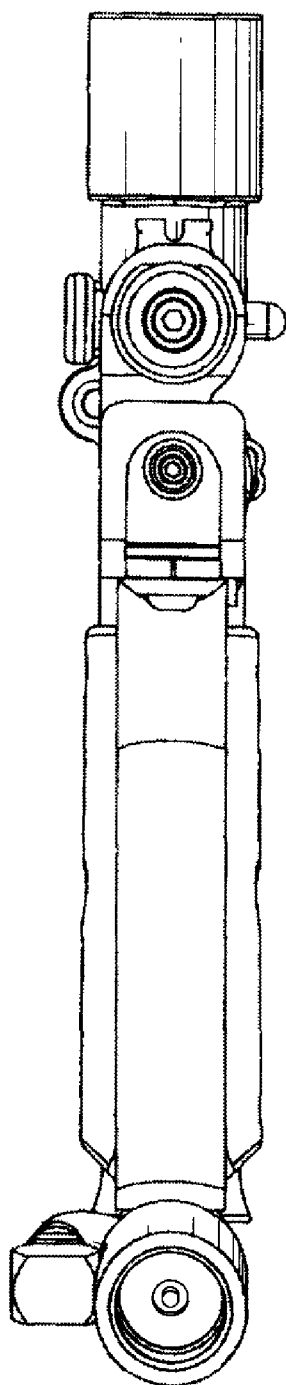


FIG. 6

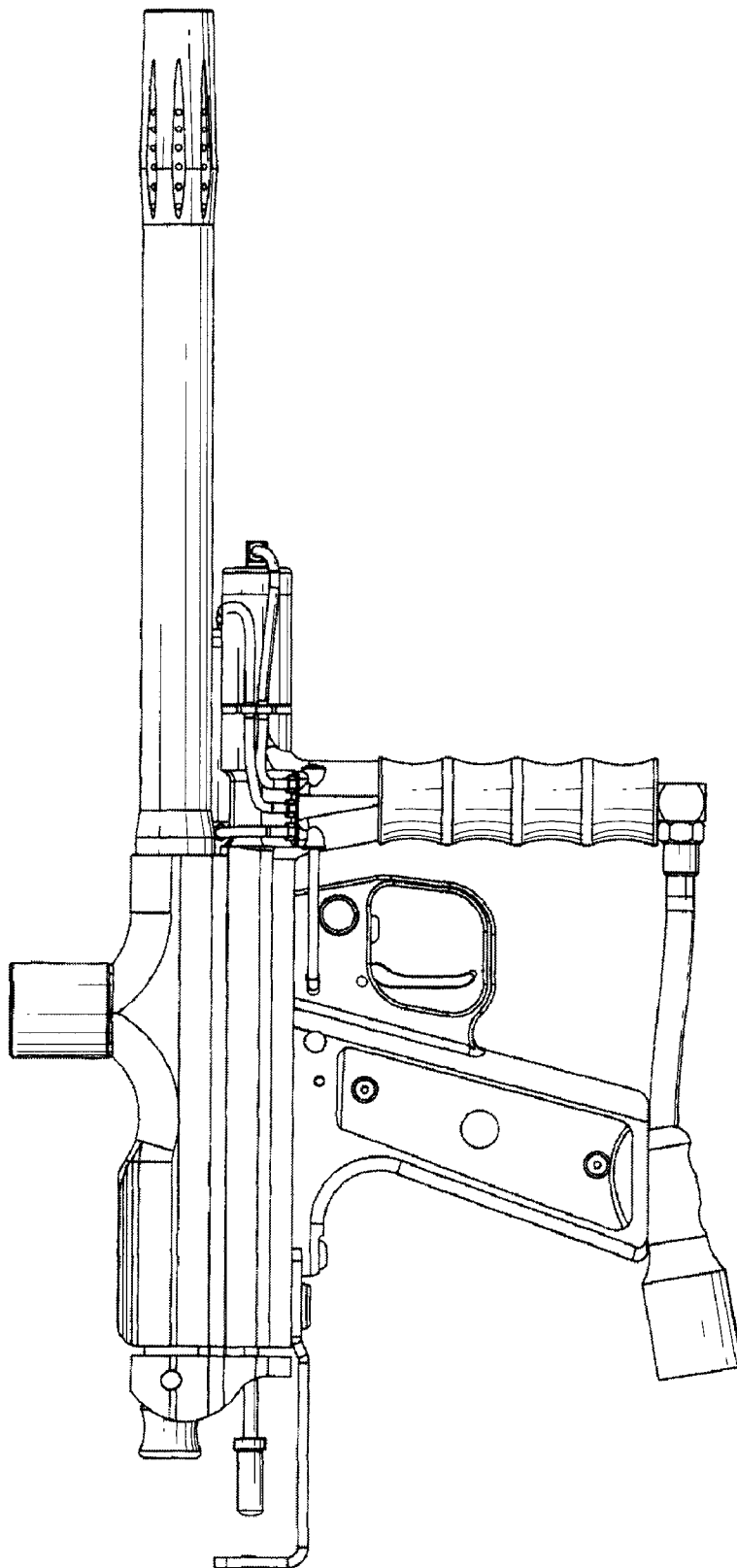


FIG. 7

