

(12) **United States Design Patent**
Dehaan

(10) **Patent No.:** **US D472,600 S**
(45) **Date of Patent:** **** Apr. 1, 2003**

(54) **PAINTBALL GUN 3-WAY VALVE**
(75) **Inventor:** **David J. Dehaan**, San Diego, CA (US)
(73) **Assignee:** **Dye Precision, Inc.**, San Diego, CA (US)
(**) **Term:** **14 Years**

(21) **Appl. No.:** **29/158,598**
(22) **Filed:** **Apr. 5, 2002**

(51) **LOC (7) Cl.** **23-01**
(52) **U.S. Cl.** **D22/108**
(58) **Field of Search** 22/100, 108, 199;
D21/573, 574, 575; 124/73, 74, 75, 76;
137/68.23, 234.5

(56) **References Cited**
U.S. PATENT DOCUMENTS

5,572,982 A * 11/1996 Williams 124/74

5,791,328 A * 8/1998 Alexander 124/76
6,286,497 B1 * 9/2001 Levkov 124/73
6,343,599 B1 * 2/2002 Perrone 124/75 X
6,418,920 B1 * 7/2002 Marr 124/74

* cited by examiner

Primary Examiner—Louis S. Zarfaz
Assistant Examiner—Monica A. Weingart
(74) *Attorney, Agent, or Firm*—Harris F. Brotman;
Procopio, Cory, Hargreaves & Savitch

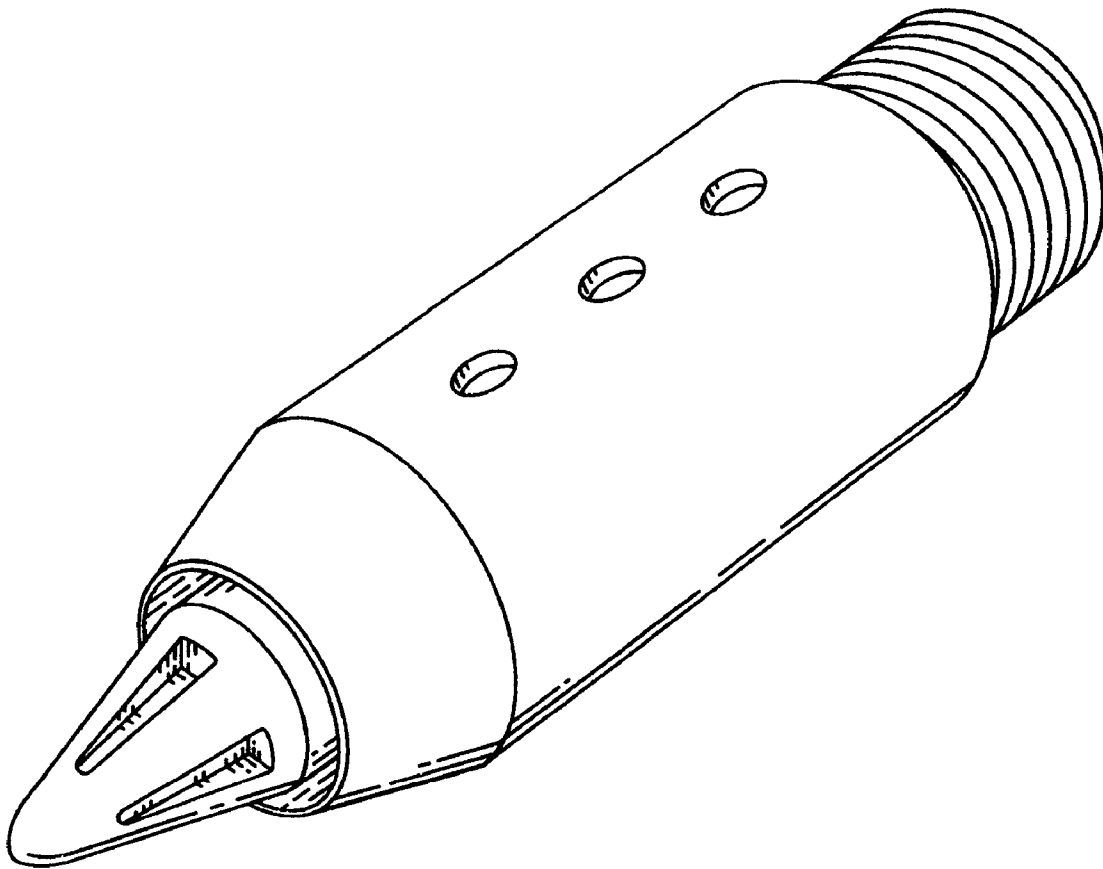
(57) **CLAIM**

The ornamental design for a paintball gun 3-way valve, as shown and described.

DESCRIPTION

FIG. 1 is a front, top left side perspective view of a paintball gun 3-way valve showing my new design; and, FIG. 2 is a back, bottom right side perspective view thereof.

1 Claim, 1 Drawing Sheet



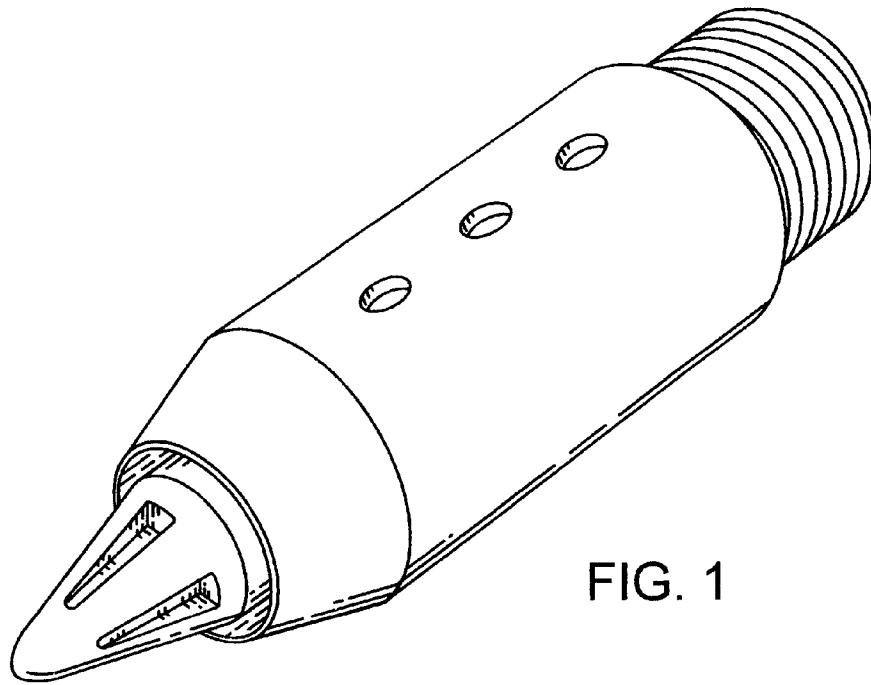


FIG. 1

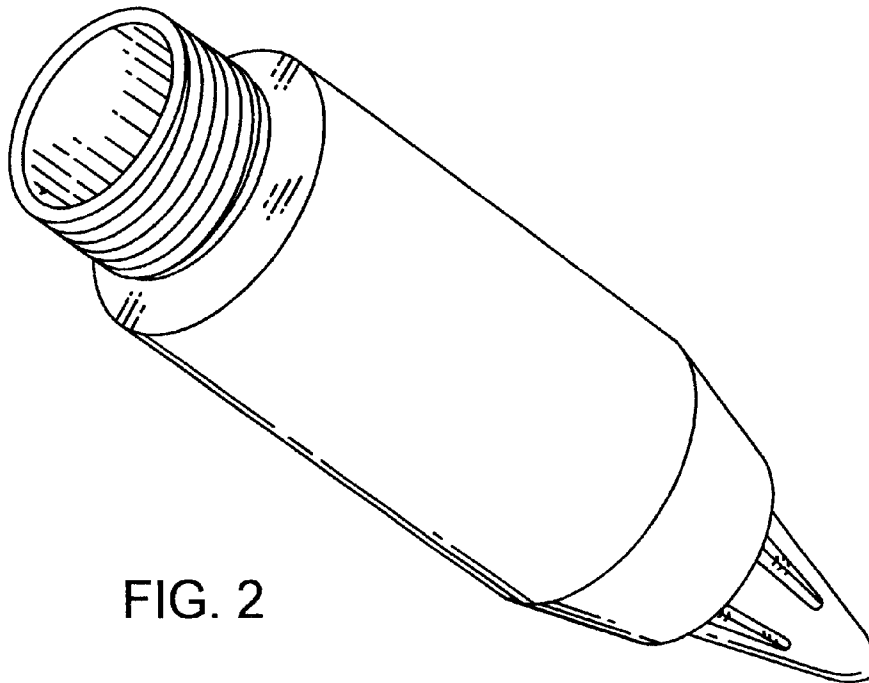


FIG. 2