



US00D441410S

(12) **United States Design Patent**  
**Fernandez et al.**

(10) **Patent No.:** **US D441,410 S**

(45) **Date of Patent:** **\*\* May 1, 2001**

(54) **FRAME FOR PAINTBALL GUN**

(76) Inventors: **Paul Fernandez**, 2921 Claremont Rd.,  
Raleigh, NC (US) 27608; **Carson**  
**Fernandez**, 7608 Pineweld Ct., Raleigh,  
NC (US) 27615

(\*\*) Term: **14 Years**

(21) Appl. No.: **29/122,385**

(22) Filed: **Apr. 27, 2000**

(51) **LOC (7) Cl.** ..... **21-01**

(52) **U.S. Cl.** ..... **D21/574**

(58) **Field of Search** ..... D21/567-575;  
D22/104, 108-109, 225, 224, 222; 446/180,  
219, 267, 430, 473, 475; 124/5, 25, 56,  
71, 72, 81, 83; 42/54, 55, 71.02; 222/78-79;  
273/310-311; 362/110-114

(56) **References Cited**

**U.S. PATENT DOCUMENTS**

D. 153,811	*	5/1949	Lim	.....	D21/574
D. 157,934	*	4/1950	Baron	.....	D21/574
D. 182,066	*	2/1958	Fetty	.....	D22/104
D. 193,729	*	10/1962	Grabau	.....	D21/574
D. 228,757	*	10/1973	Sanford	.....	D22/104
5,228,427	*	7/1993	Gardner	.....	124/71
5,465,520	*	11/1995	Cupp	.....	42/71.02

5,503,137	*	4/1996	Fusco	.....	124/56
5,823,173	*	10/1998	De Angeli	.....	124/81
5,954,042	*	9/1999	Harvey	.....	124/72
6,065,460	*	5/2000	Lotuaco	.....	124/72
6,073,381	*	6/2000	Farrar	.....	42/71.02

**OTHER PUBLICATIONS**

National FOP Journal, P 42, 1991.\*

\* cited by examiner

*Primary Examiner*—Raphael Barkai

(74) *Attorney, Agent, or Firm*—Mills Law Firm PLLC

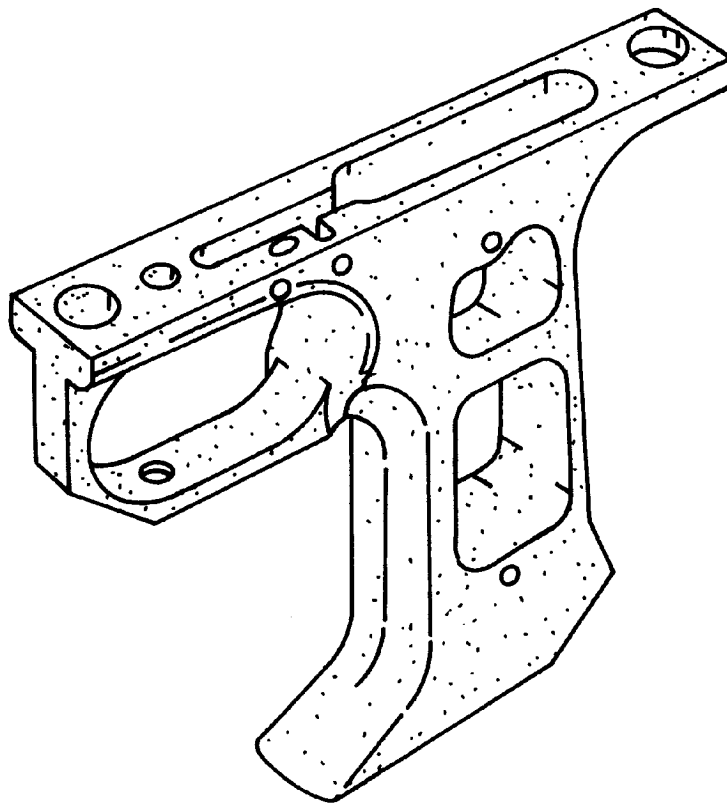
(57) **CLAIM**

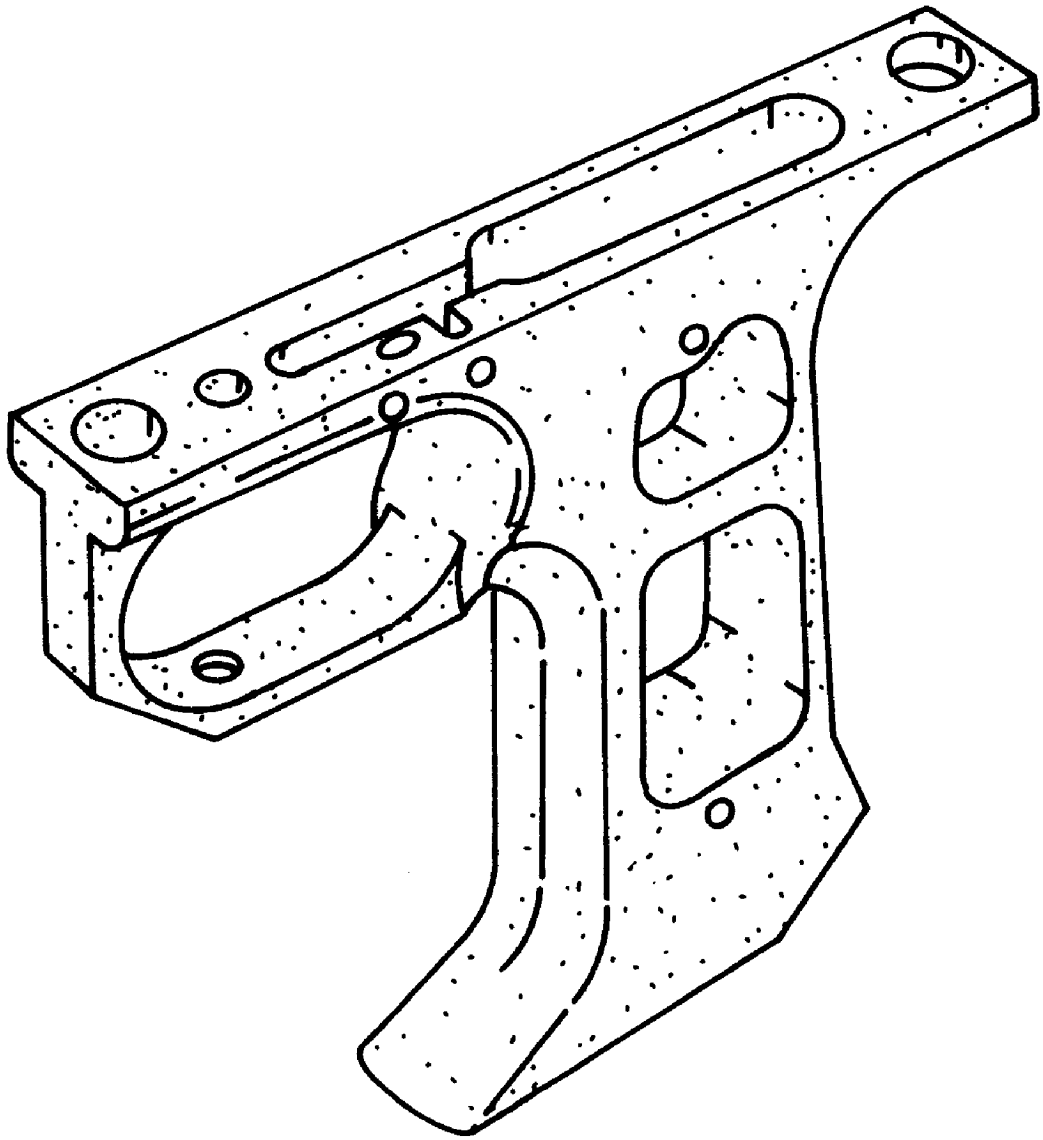
The ornamental design for a frame for paintball gun, as shown and described.

**DESCRIPTION**

FIG. 1 is a perspective view of the frame for paintball gun, showing our design;  
FIG. 2 is a right side elevational view thereof;  
FIG. 3 is a top plan view thereof;  
FIG. 4 is a bottom plan view thereof;  
FIG. 5 is a left elevational view thereof;  
FIG. 6 is a rear elevational view thereof;  
FIG. 7 is a front elevational view thereof; and,  
FIG. 8 is a perspective view of a modification thereof.

**1 Claim, 4 Drawing Sheets**





**FIG. I**

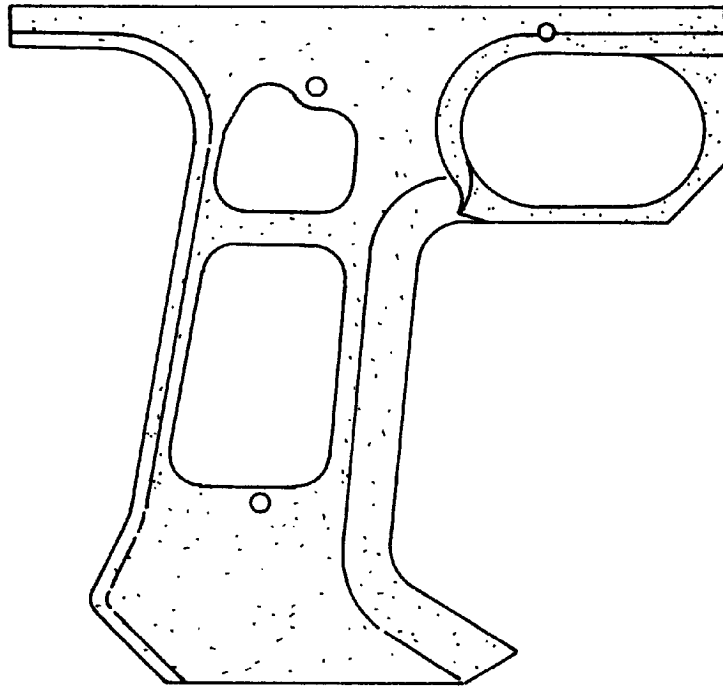


FIG. 2



FIG. 3



FIG. 4

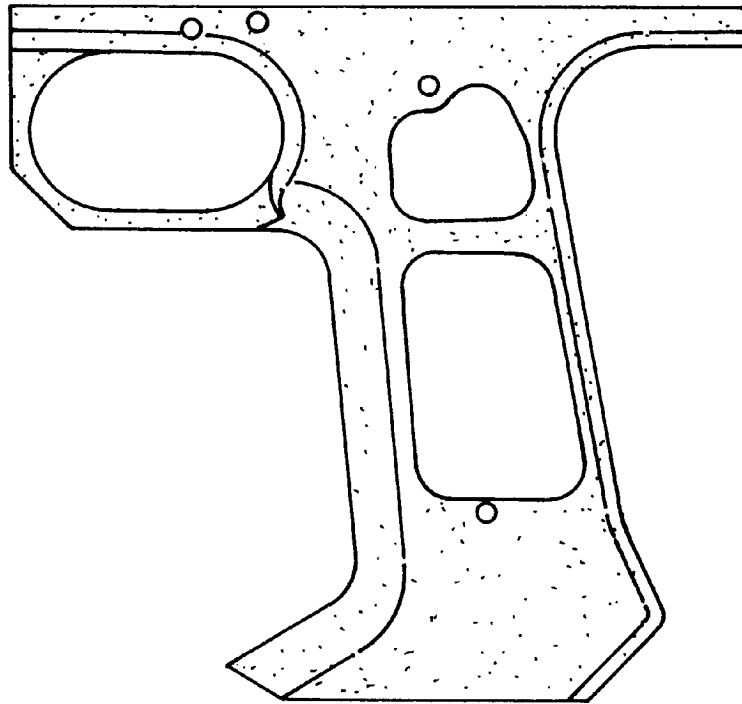


FIG. 5

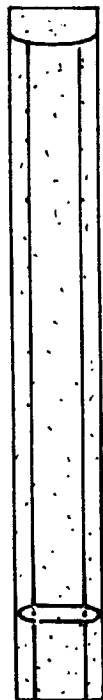


FIG. 6

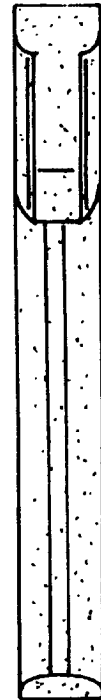


FIG. 7

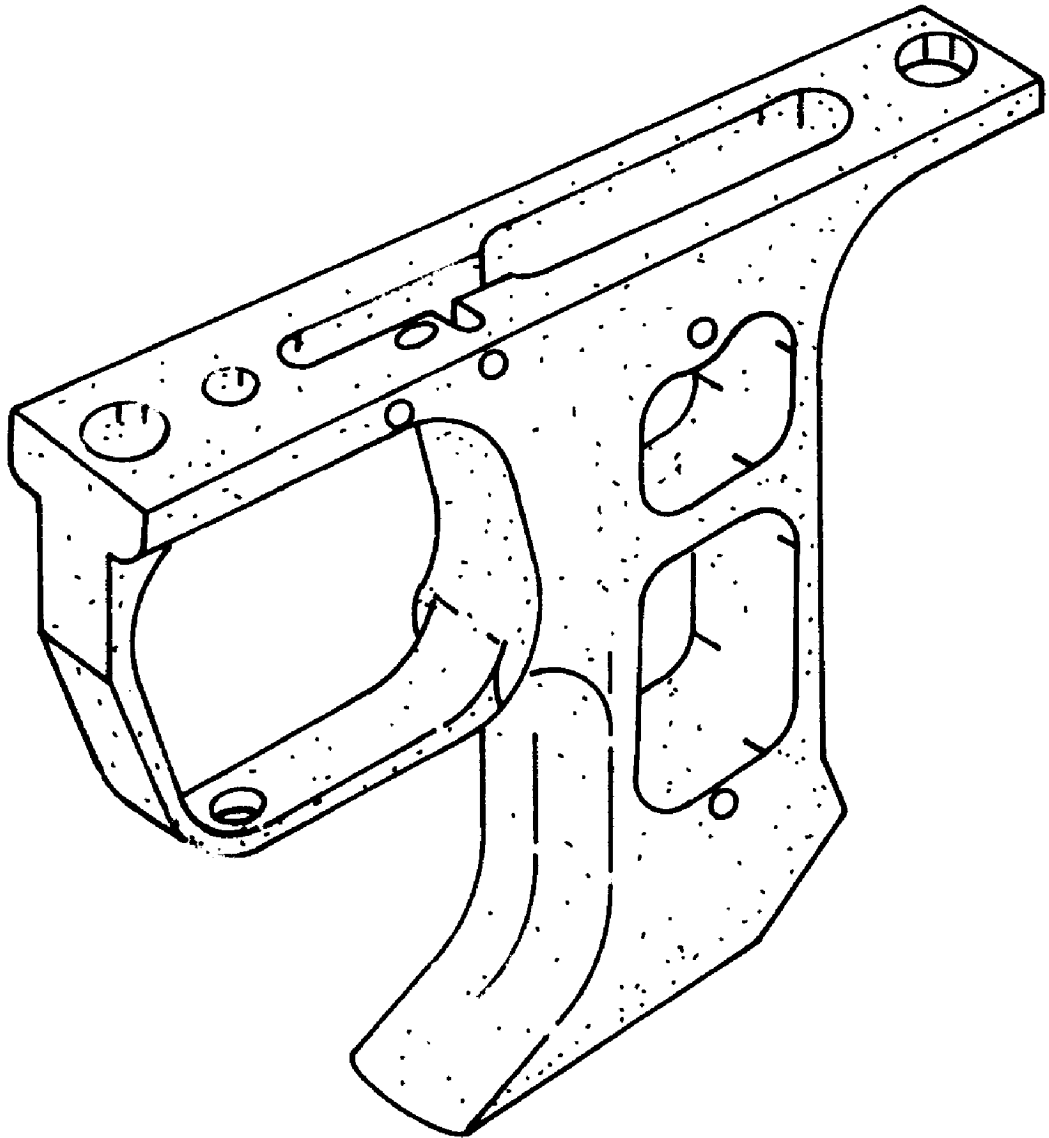


FIG. 8